



Part number

MAPR 16.32



Brief description:

surface mounting housings with 2 levers, size "77.27" 180°C version, M32, 180 °C version, IP65

Product description		Approvals / Standards	
Version	180 °C version	Quality mark	 (type:4/4X/12),  , EAC
Series	surface mounting housings with 2 levers	Conformity	CQC, CE
Product type	with 2 levers	General ordering information	
Style	high construction	EAN13 code	8015747101158
Family	CLASS enclosures	Tariff number	85369095
Size	size "77.27" 180°C version	Packaging Information	
Technical data		Packaging length	475,00 mm
Operating temperature range (min, max)	-40°C ... +180°C	Packaging height	220,00 mm
Material	metal	Packaging width	175,00 mm
IP degree of protection	IP65	Packaging weight	4,74 kg
Cable entry	M32	Packaging volume	18,29 dm ³
Further technical details		Packaging description	Carton box
Weight	474,00 g	Packaging quantity	10 Pcs
		Packaging EAN code	8015747248327
		Sub-packaging weight	2,37 kg
		Sub-packaging description	Plastic packaging
		Sub-packaging quantity	5 Pcs
		Sub-packaging EAN barcode	8015747101349

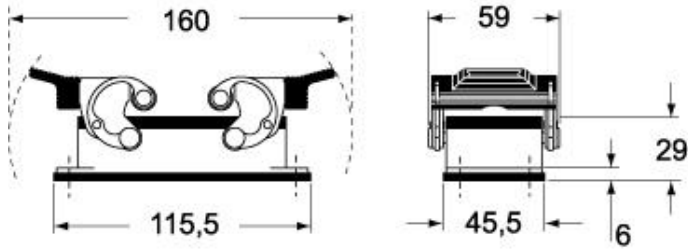
Part number

MAPR 16.32

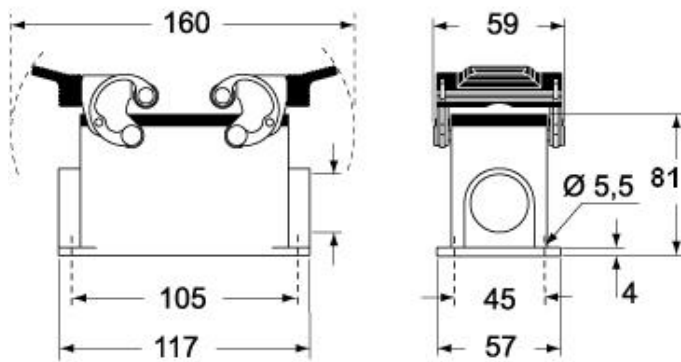


Catalogue drawings

CHIR



CAPR - MAPR



CHCR

